



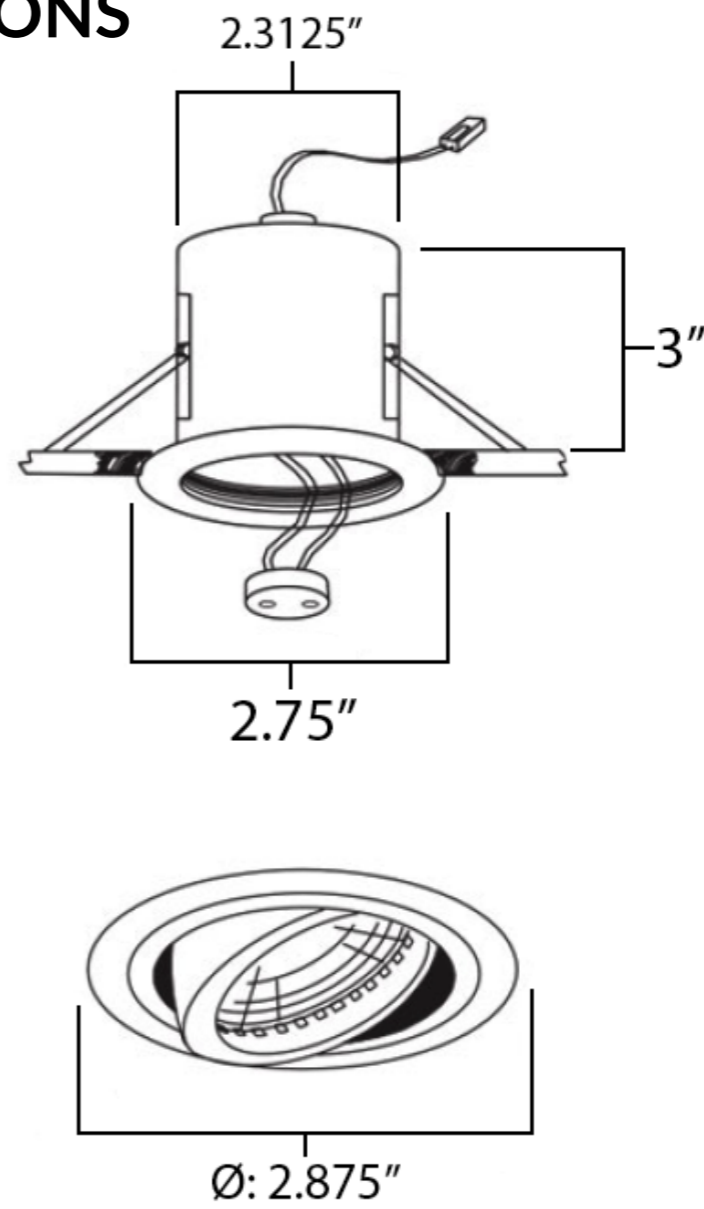
Low Voltage Mini Gimbal Recessed Cabinet Light

DESCRIPTION

Material: Die Cast Aluminum
 Lens: Tempered Clear Glass
 Voltage: 12V
 Socket Type: JC Bi-Pin
 Bulb Type: MR11
 Power Rating: 20w Max
 Mounting: Recessed
 Fixture Weight: 1.75 lbs



DIMENSIONS



FINISHES



Black



Chrome



Gold



White



Nickel



Copper

ORDERING INFORMATION

CPMR11	VOLTAGE	FINISH	LED BULB
	12V	BLK Black	CW12V 12V 2.5W 180 Lumens Cool White 5000K LED
		WHT White	WW12V 12V 2.5W 180 Lumens Warm White 2700K LED
		CH Chrome	
		NKL Nickel	
		GLD Gold	
		CP Copper	

CPMR11- 12V - -

Fixture Type: _____

Job Name: _____

Notes: _____

