

# 120V DC DMX DECODER

## 4 CHANNEL IP67 WITH JUNCTION BOX

120V DC output DMX 512 controller with out door rating housing and wiring junction box included.

- RDM enabled DMX controller
- Output for high voltage DC100~240V DC LED
- Standard DMX512 compliant control interface
- With digital display
- Total 4 channels LED output, common anode
- DMX address manually settable
- DMX channel quantity from 1CH~4CH settable
- Output PWM frequency from 500HZ ~ 35K HZ settable, but do not set it higher than 3KHz.
- Output dimming curve gamma value from 0.1 ~ 9.9 settable
- Waterproof grade: IP67
- Includes watertight junction box for cable connections



PROJECT: \_\_\_\_\_

TYPE: \_\_\_\_\_

LOCATION: \_\_\_\_\_

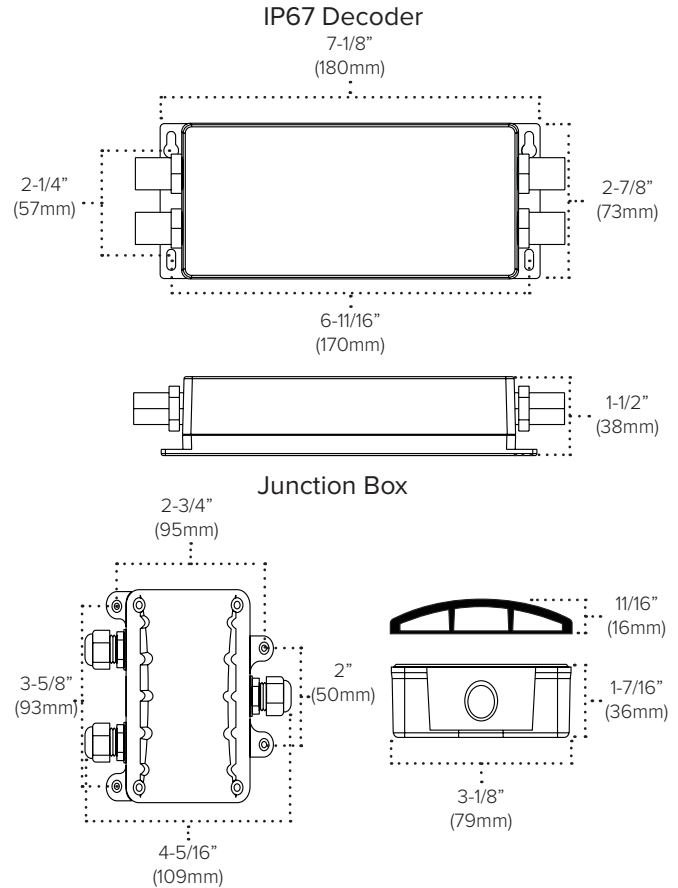
CATALOG NUMBER: \_\_\_\_\_



### 120-CTRL-4CH QUICK SPECS

<b>INPUT VOLTAGE</b>	100-240V AC
<b>INPUT CURRENT</b>	20.5A
<b>OUTPUT VOLTAGE</b>	100-240V DC
<b>OUTPUT CURRENT</b>	4x1.5A
<b>MAX LOAD</b>	660W@110V / 1320W@220V
<b>INPUT WIRE</b>	5" 18AWG
<b>OUTPUT WIRE</b>	5" 20AWG
<b>DIMENSIONS</b>	7-1/8"L x 2-7/8"W x 1-1/2"H
<b>RATING</b>	IP67 (Wet Location), RoHS Compliant
<b>OPERATING TEMP</b>	-4°F to 122°F (-20°C - +50°C)

### 120-CTRL-4CH QUICK DIMENSIONS



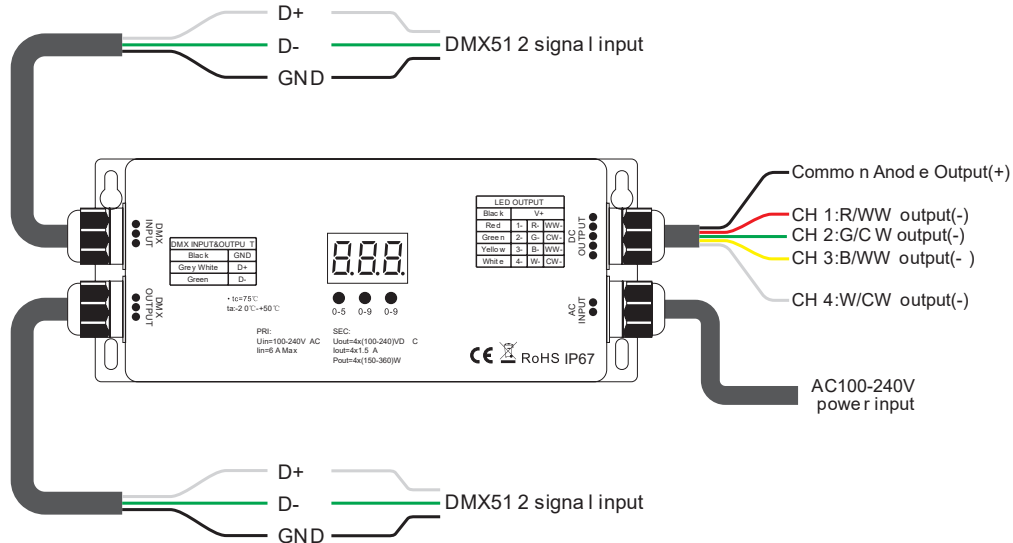
### 120-CTRL-4CH ORDERING INFORMATION

ITEM NUMBER	DESCRIPTION
<b>120-CTRL-4CH</b>	120V AC/DC 4 Channel Controller w/Junction Box

### 120-CTRL-4CH ACCESSORIES

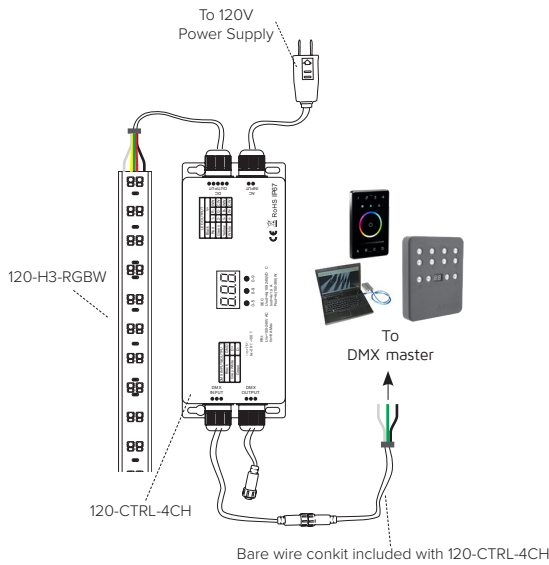
ITEM NUMBER	DESCRIPTION
<b>DEC-DMX-IP67-JUMP10</b>	10 meter male/female IP67 signal jumper cable
<b>REC-DMX-RF</b>	Radio Frequency Receiver (Use w/120-CTRL-4CH + RF Control)
<b>DEC-DMX-JUMP15FT</b>	15' Signal Linking Cable (Use w/120-CTRL-4CH)
<b>RF-RGBW-3AAA</b>	RGBW Handheld 3AAA Remote Control (Use with REC-DMX-RF)

**120-CTRL-4CH QUICK VIEW**



**HYBRID 3 RGBW CONTROL OPTIONS**

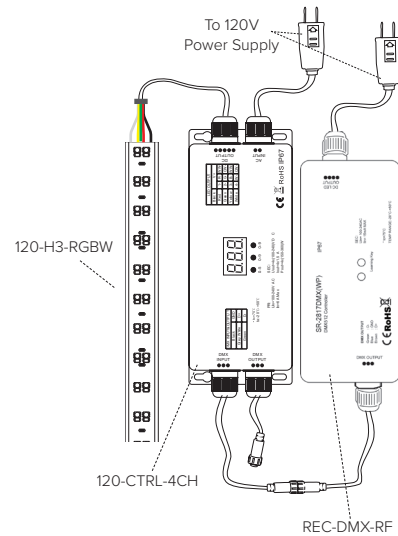
Power/Control Option A  
120-CTRL-4CH  
+ Master DMX Control



120-CTRL-4CH requires RDMX controller (sold separately), for example:  
CTRL-DMXB-RGBW-4Z      PZM-DMX-2UNV-BK  
PZM-DMX-1UNV-BK



Power/Control Option B  
120-CTRL-4CH + REC-DMX-RF  
+ Trulux RF Controller  
for Radio Frequency Control



REC-DMX-RF requires Radio Frequency (RF) controller (sold separately)  
RF-RGBW-3AAA

