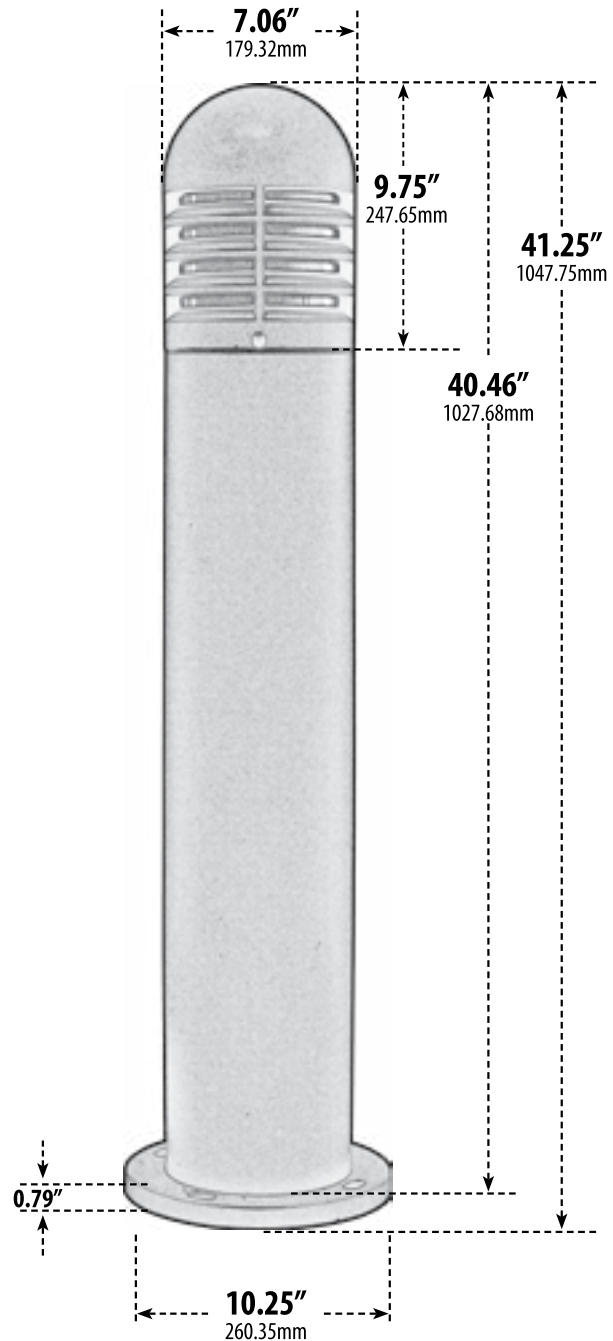


D180

PATH, WALKWAY, DRIVEWAY and ENTRANCE AREA BOLLARD



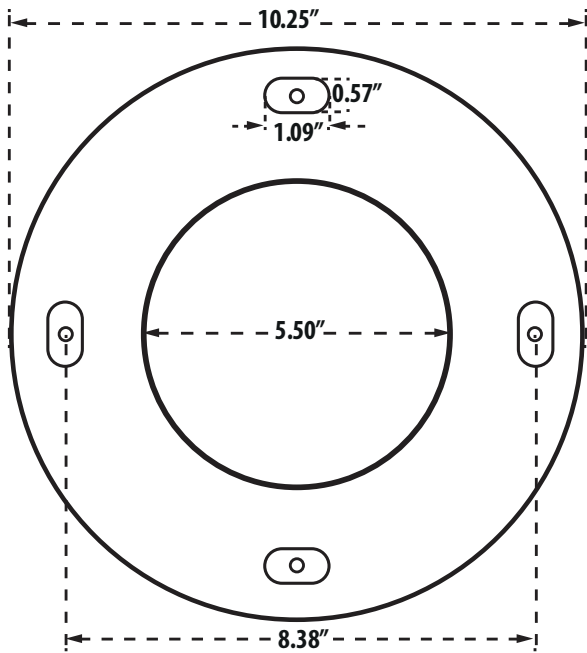
- ▶ **Material:** Fiberglass
- ▶ **Lens:** White, Heat Resistant, Polycarbonate Lens
- ▶ **Available Finish:** Black, Bronze
- ▶ **ETL Approval Pending**
- ▶ *Available with Amber LED lamp for Turtle Friendly Lighting*

DABMAR
L I G H T I N G

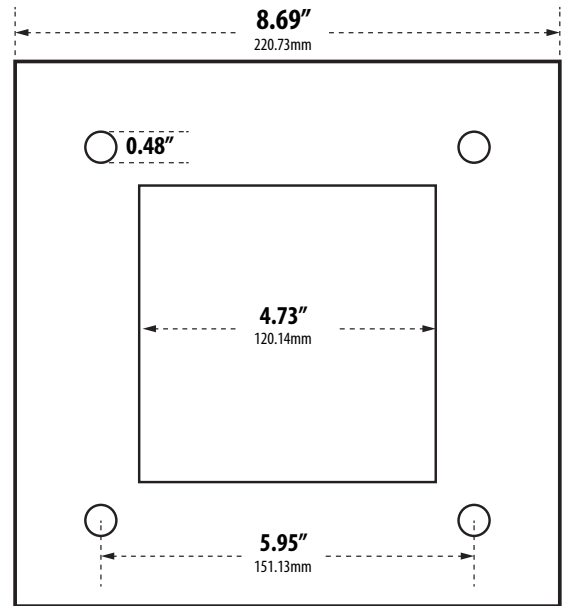
DABMAR LIGHTING INCORPORATED

320 Graves Ave . Oxnard, CA 93030 . 805.604.9090 . f: 805.604.9050 . www.dabmar.com

4693 19th Street Ct E . Bradenton, FL 34203



BASE PATTERN



TEMPLATE PATTERN

BOLT



MODEL NUMBER	LAMP TYPE	ILLUMINANT TYPE	WATTS (W)	VOLTS (V)	LAMP(S) INCLUDED?
D180	A-Type	Incandescent	60	120	NO
D180-LED112	Tubular G24 2P	112 LEDs	20	120-277	YES
D182-35	HID	HPS	35	120	YES
D182-50	HID	HPS	50	120	YES
D182-50-MT	HID	HPS	50	MT	YES
D182	HID	HPS	70	120	YES
D182-MT	HID	HPS	70	MT	YES
D183-35	HID	MH	35	120	YES
D183-50	HID	MH	50	120	YES
D183-50-MT	HID	MH	50	MT	YES
D183	HID	MH	70	120	YES
D183-MT	HID	MH	70	MT	YES
D185	S13-GU24	Fluorescent	13	120	YES
D186	S26-GU24	Fluorescent	26	120	YES

Overall Dimensions:
10.25"W x 41.25"H x 10.25"D

Maximum Height: 41.25"
Width: 10.25"
Maximum Depth: 10.25"

Weight: 11.20 lbs
Box Dimensions: 11.13"W x 44.00"H x 10.50"D

Turtle Friendly Lighting (Wildlife Lighting)

MODEL NUMBER	LAMP TYPE	ILLUMINANT TYPE	WATTS (W)	VOLTS (V)	LAMP(S) INCLUDED?
D180-LED132-AMB	E26 MED BASE	AMBER LED	25	100-277	YES

LED included will be 50K unless otherwise specified to 30K

FIBERGLASS is warranted for a period of three (3) years from date of shipment

LED is warranted for a period of three (3) years or half the lifespan from date of shipment