

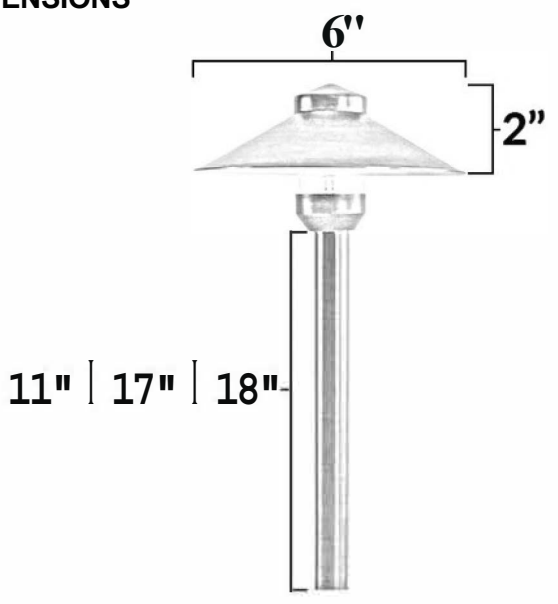
12V/120V Raw Copper Canopy Pathway Area Light - PASH-L-112-RC

DESCRIPTION

Material: Cast Brass/ Raw Copper
 Voltage: 12V / 120V
 Socket Type: JC Bi-Pin
 Bulb Type: G4 Cluster
 Power Rating: 10w Max
 Mounting: Ground / Surface
 Wiring: 18" Lead w/ Ground Fixture
 Weight: 2.15 lbs Dimensions: See Below
 Certifications: UL Listed - Socket



DIMENSIONS



ORDERING INFORMATION

PASH-L-112-RC	VOLTAGE	STEM LENGTH	BULB
	12V	11"	WW 12V 2.3W WARM WHITE G4 COB JC BI PIN
	120V	17"	CW 12V 2.3W COOL WHITE G4 COB JC BI PIN
			WW 120V 2.3W WARM WHITE G4 COB JC BI PIN
			CW 120V 2.3W COOL WHITE G4 COB JC BI PIN

PASH-L-112-RC - _ _ - _ _ - _ _

Fixture Type: _____

Job Name: _____

Notes: _____