

ADAPTIVE PRO 200W

5-in-1 Dimmable 24V Power Supply

The Adaptive Pro 5-in-1 dimmable drivers are designed to operate with any standard MLV / ELV / Incandescent TRIAC (forward phase) dimmer switch or can also be used with secondary side controls systems. Encased in a sealed low profile aluminum enclosure Suitable for outdoor locations.

- 200W 24V DC constant voltage hardwire driver
- Class I metal housing (Type HL)
- 5-in-1 Forward and Reverse Phase Dimming:
ELV / MLV / TRIAC / 0-10V/ 1-10V/Potentiometer / 10V PWM 4-in-1
- Short circuit, over-voltage, over-temperature, overload protections
- 8" (SJTW) Lead & Tail Wire
- cULus Listed Wet location rated
- Class P, Type HL, FCC Compliant



PROJECT: _____

TYPE: _____

LOCATION: _____

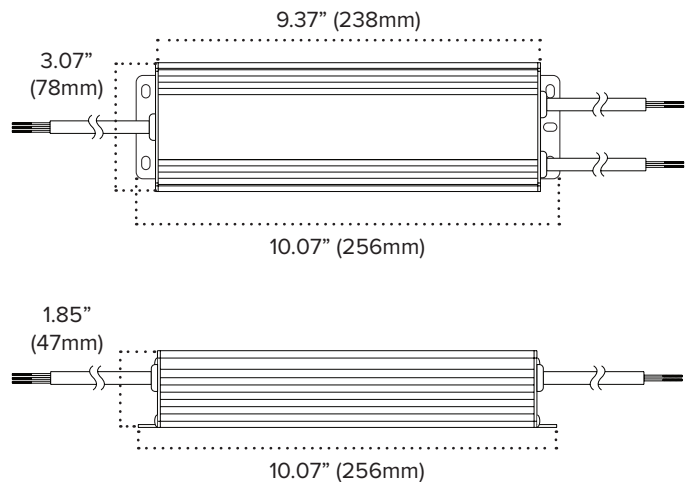
CATALOG NUMBER: _____



ADAPTIVE PRO - 200W QUICK SPECS

SERIES	ADPTPRO 200W
INPUT VOLTAGE	100-277V AC (2.3A Max)
INPUT FREQUENCY	47-63Hz
OUTPUT VOLTAGE	24V DC
RATED CURRENT	8.33A
POWER FACTOR	0.98@120V / 0.95@277V
MIN LOAD	20W
MAX LOAD	200W
EFFICIENCY	> 86% (120V) / 88% (277V)
DIMENSIONS	10.07" (256mm) L x 3.07" (78mm) W x 1.85" (47mm) H
DIMMING	0-100%
OPERATING TEMP	-40°F to 140°F (-40°C to 60°C)
RATING	cULus Listed for Wet locations

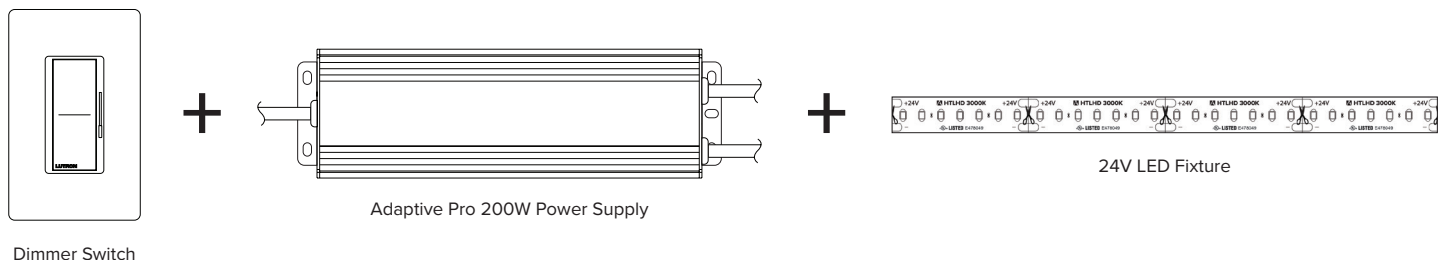
ADAPTIVE PRO - 200W QUICK DIMENSIONS



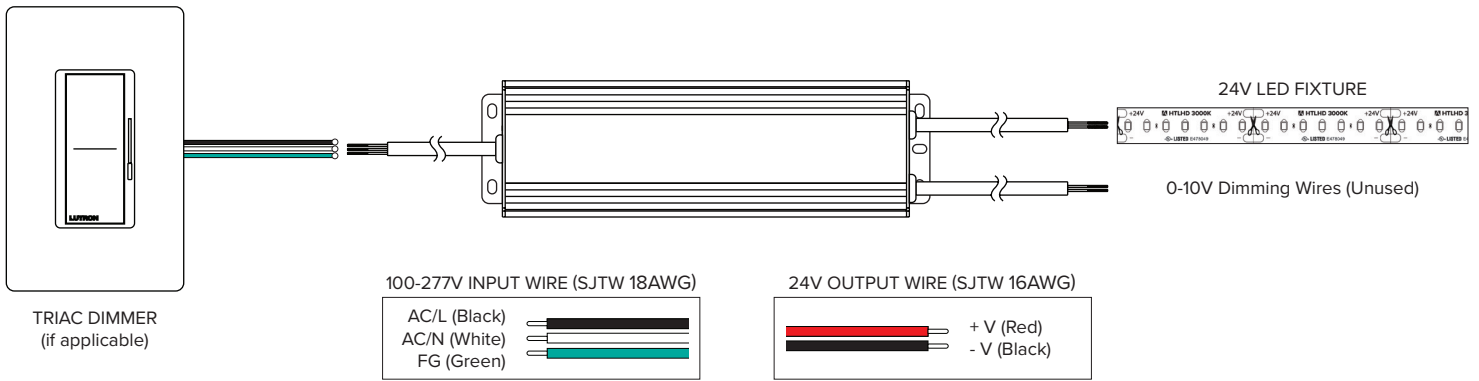
ADAPTIVE PRO - 200W ORDERING INFORMATION

ITEM NUMBER	DESCRIPTION
ADPTPRO-DR-200-24	Adaptive Pro 24V - 200W Power Supply

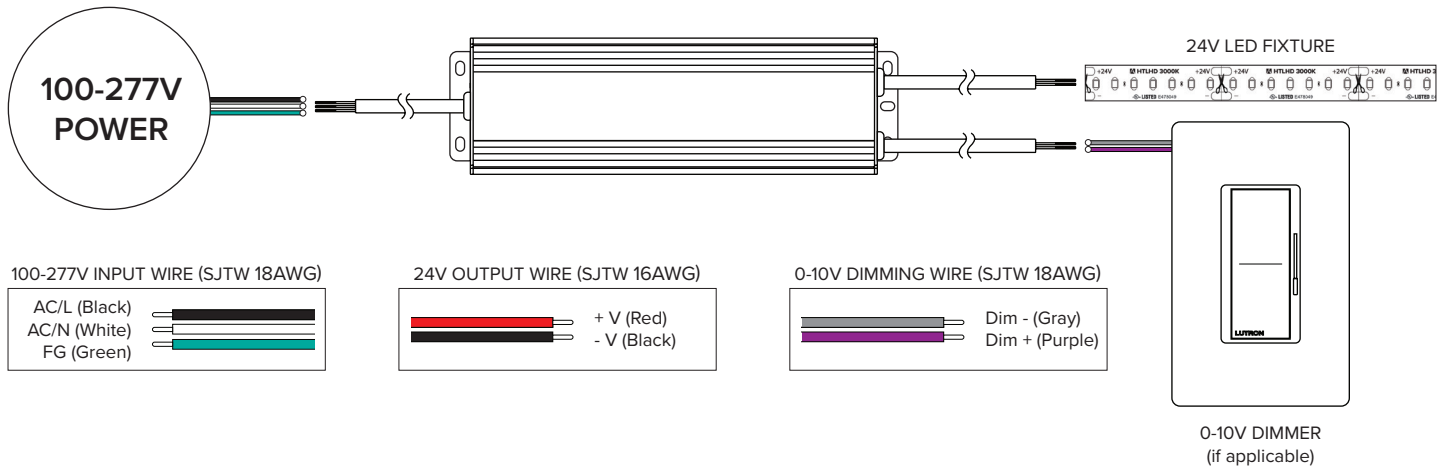
ADAPTIVE PRO - 200W QUICK SET UP



ADAPTIVE PRO - 200W TRIAC/ELV/MLV DIMMING WIRING DIAGRAM



ADAPTIVE PRO - 200W 0-10V WIRING DIAGRAM





AMERICAN LIGHTING WARRANTY

LIMITED WARRANTY FOR LED PRODUCTS: 2 YEARS

LIMITED PRODUCT WARRANTY

Our products are warranted to be free from defects in material and workmanship for the warranty period listed. Warranty periods begin from the date of shipment from American Lighting Inc's warehouse to the original purchaser. Products that prove to be defective during their specific warranty period will be either repaired or replaced, at the sole discretion of American Lighting Inc. Claims for defective products must be submitted in writing to American Lighting Inc's RGA Department within the warranty period. Upon approval of such return, American Lighting Inc reserves the right to inspect the product for misuse or abuse. Claims for indirect or consequential damages or for product that, in American Lighting Inc's opinion, has been misused will be denied. This is a warranty of product reliability only and not a warranty of merchantability or fitness for a particular purpose. American Lighting Inc shall have no liability whatsoever in any event for payment of incidental or consequential damages, including, without limitations, installation costs and/or damages for personal injury and/or property. These products may represent a possible shock or fire hazard if improperly installed or altered in any way. This warranty does not apply to any product that has not been properly installed in accordance with current local codes and/or the National Electrical Code. Products that require a transformer, driver, or power supply must be used in conjunction with American Lighting Inc's recommended power supply to ensure safety and retain product warranty.

PRODUCT SPECIFICATIONS

For the latest product information, updates, instructions and details concerning specifications, colors, finishes, performance, installation and design, visit www.americanlighting.com. Color may vary from the color printed herein due to limitations in photographic and printing processes. American Lighting Inc. reserves the right to change product specifications without notice. Other product specifications such as color temperature, wavelength characteristics and lumen output are subject to production limitations and may vary. LED technology is changing rapidly, and not all color temperatures and performance levels can be duplicated at a later time. Best practices include purchasing 10-15% more for a particular project on the same initial order where white LED color temperatures must be maintained over project and product life. Eventual product replacement should be considered at layout and design stages. Best practices also include testing connections and product performance prior to mounting and/or installing.

AVERAGE LIFE

Average incandescent lamp life, rated life and average life are terms used to describe the number of hours at which half of the lamps have failed. For LEDs, the hours of rated life specify the point where 70% of original lumen output is reached. Below this point, the effective life is over, however, the LED may still emit light. Individual results may vary with actual environmental conditions including, but not limited to, proper installation, ambient temperature and/or input voltage fluctuations.