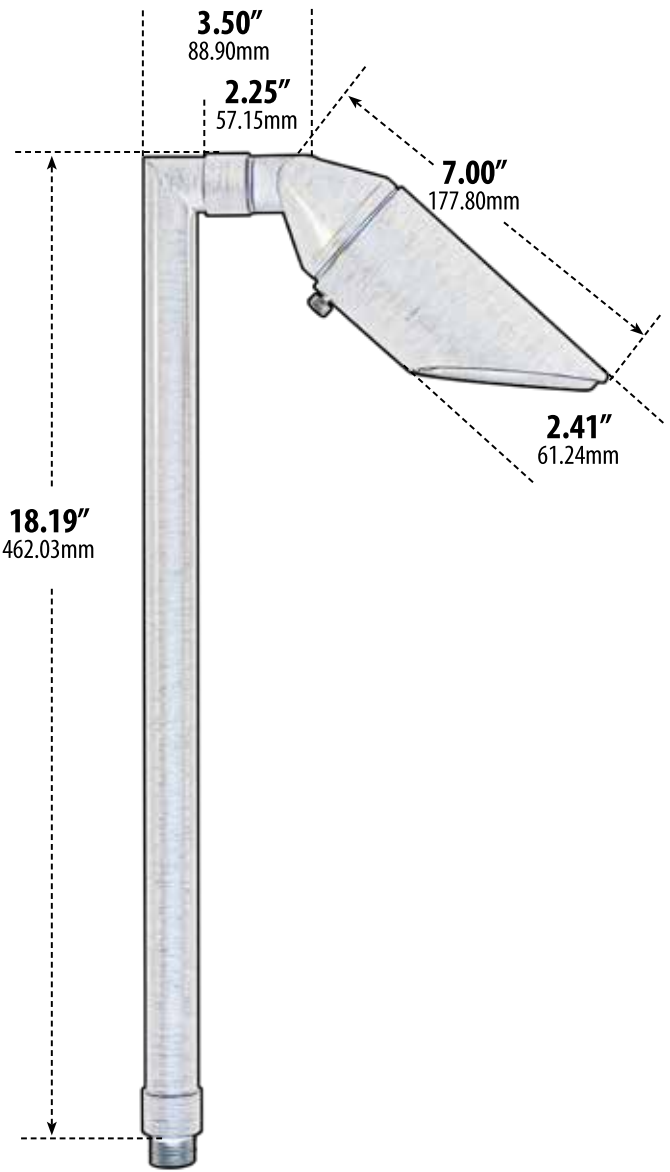


LV31

PATH, WALKWAY AND AREA LIGHT



- ▶ **Material:** Brass
- ▶ **Lens:** Clear, Heat Resistant, Tempered Glass Lens
- ▶ **Lamp:** MR16 Bi-Pin Base Available in 27K or 65K

MODEL NUMBER	LAMP TYPE	ILLUMINANT TYPE	WATTS (W)	VOLTS (V)	LAMP(S) INCLUDED?
LV31	MR16	HALOGEN	20	12	YES
LV31-LED3	MR16-LED	LED	3	12	YES
LV31-LED5	MR16-LED	LED	5	12	YES
LV31-LED7	MR16-LED	LED	7	12	YES
LV31-LED4-RGBW	MR16-LED	LED	4	12	YES

Pre-wired with UL Listed Direct Burial Wire/Cable

- ▶ **1/2" NPT**
- ▶ **Ground Spike Included for Installation**
- ▶ **Connector Available:** P-CN01 (sold separately)
- ▶ **Available Finish:** Weathered Brass
- ▶ **RGBW Lamp Requires/Remote:** P-RMT-MR16-LED-4W-MC (sold separately)
- ▶ **ETL Approval Pending**

Overall Dimensions:
18.81"H x 9.38"W x 2.41"D

Maximum Height: 24.50"
Width: 9.38"
Maximum Depth: 2.41"

Weight: 2lbs 10oz
Weight w/Box: 2lbs 15oz
Approximate Wire Length: 39"
Box Dimensions:
4.50"W x 19.75"H x 3.13"D



DABMAR LIGHTING INCORPORATED

320 Graves Ave . Oxnard, CA 93030 . 805.604.9090 . f: 805.604.9050 . www.dabmar.com
4693 19th Street Ct E . Bradenton, FL 34203